

# 43217 and 37442 Accelerometer Mounting Kit

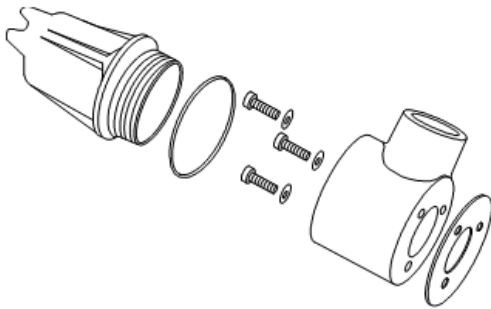
## Datasheet

Bently Nevada Machinery Condition Monitoring

141630 Rev. G

### Description

The Accelerometer Mounting Kit protects an accelerometer from adverse physical and environmental conditions. The mounting kit's rugged design is both water-tight and dust resistant.



The mounting kit is available in three configurations to house various accelerometers. All kits consist of a flat cover with a housing base, a set of three 1/4-in 20 UNC x 0.62 mounting screws with lock washers, a cable grip, an O-ring, and a gasket. One configuration adds an optional dome cover. Another configuration adds an optional extension and an optional dome cover. All kit designs mate with 12-mm (1/2-in) flexible or rigid conduit. Properly installed kits, using an accelerometer mounting base and rigid or flexible conduit, meet API 670 requirements. The conduit is ordered as an accessory. The mounting base is an accessory with the 23732, 330400 and 330425. Prior to mounting, the machine surface where the housing will be installed must be spot faced.

An optional 303 stainless steel accelerometer mounting kit for extra protection in corrosive environments is also available. It can be ordered under part number 164952-AA-BB.



Dimensions for the 303 stainless kit are not listed. Refer to drawing 164952.

## Specifications

### Materials

Flat Cover	"Copper free" aluminum
Dome Cover	"Copper free" aluminum
Extension	"Copper free" aluminum
Housing Base	Feraloy.
Gasket and O-ring	Neoprene
Outlet Port Size	1/2-in 14 NPT

### Weight

With Flat Cover	320 g (11 oz)
With Dome Cover	600 g (21 oz)
With Dome Cover and Extension	737 g (26 oz)



For installation instructions, please refer to the Accelerometer Mounting Kit 43217 and 37442 User Guide (document 43231).

## Ordering Information



For the detailed listing of country and product specific approvals, refer to the *Approvals Quick Reference Guide* (108M1756) available from [Bently.com](http://Bently.com).

### Accelerometer Mounting Kit

#### 43217-AA

A: Option Description	
00	Kit with flat cover for the 24147-01 Accelerometer
01	Kit with both flat and dome covers for the 23732-01 Accelerometer
02	Kit with optional extension and both flat and dome covers for the 330400 and 330425 Accelerometers

### High Temperature Accelerometer Mounting Kit

#### 37442-AA

A: Option Description	
00	Kit with flat cover for the 24147-01 Accelerometer
01	Kit with both flat and dome covers for the 23732-01 Accelerometers

### 1/2-inch Sealtite Flexible Conduit

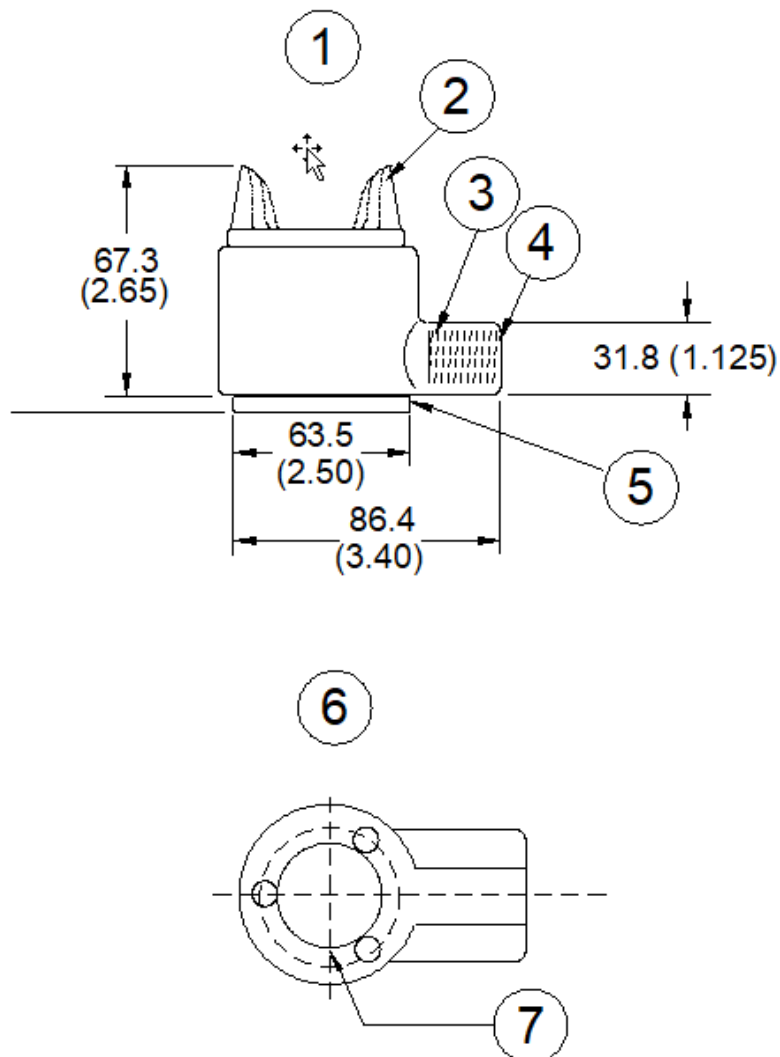
#### 14847-AA

A: Option Description	
	Assembly Length Option
	Order in increments of 1 foot.
	Minimum Length: <b>01</b> = 1 ft Maximum Length: <b>99</b> = 99 ft
	Example: <b>12</b> = 12-foot assembly.

#### 37239-01

Accelerometer mounting base for the 23732-01
--

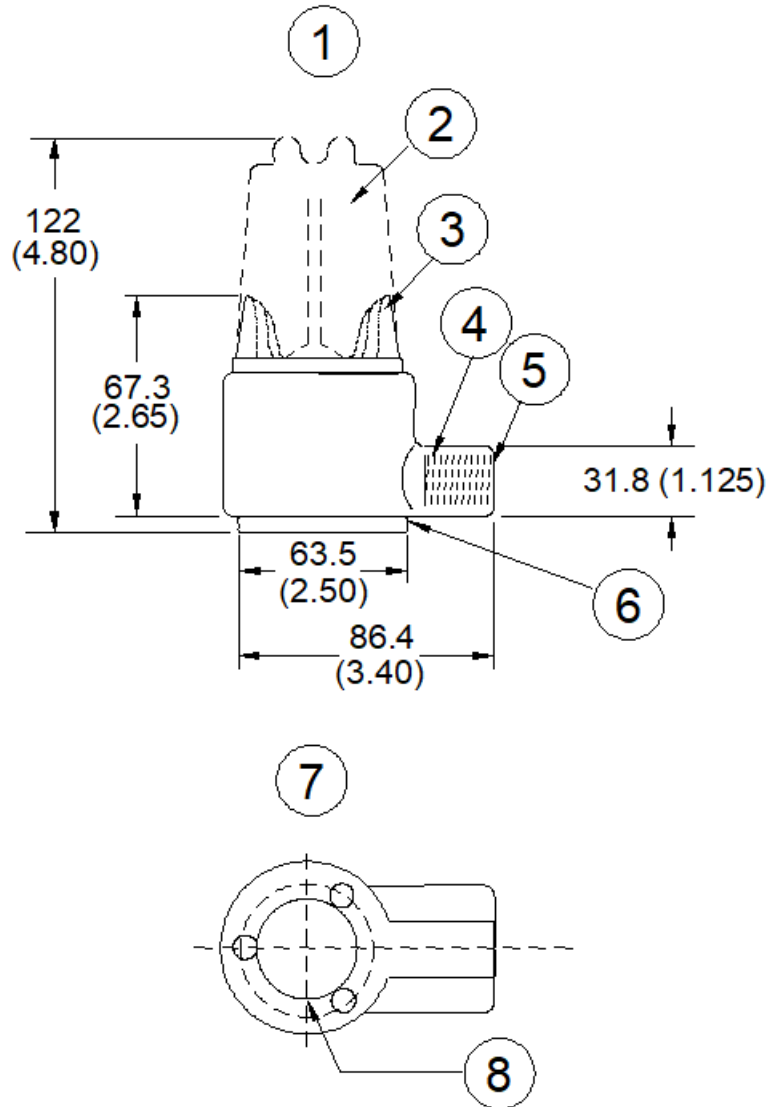
## Graphs and Figures



1. Side view
2. Standard flat cover
3. 1/2-14 NPT
4. Cable grip
5. Gasket, 3.2 (0.12)
6. Bottom view
7. Holes 7.14 (0.28) diameter, 3 places equally spaced on a 39.6 (1.56) diameter, base circle 28.58 (1.125) diameter

**Figure 1: 43217-00 Accelerometer Mounting Kit Dimensions**

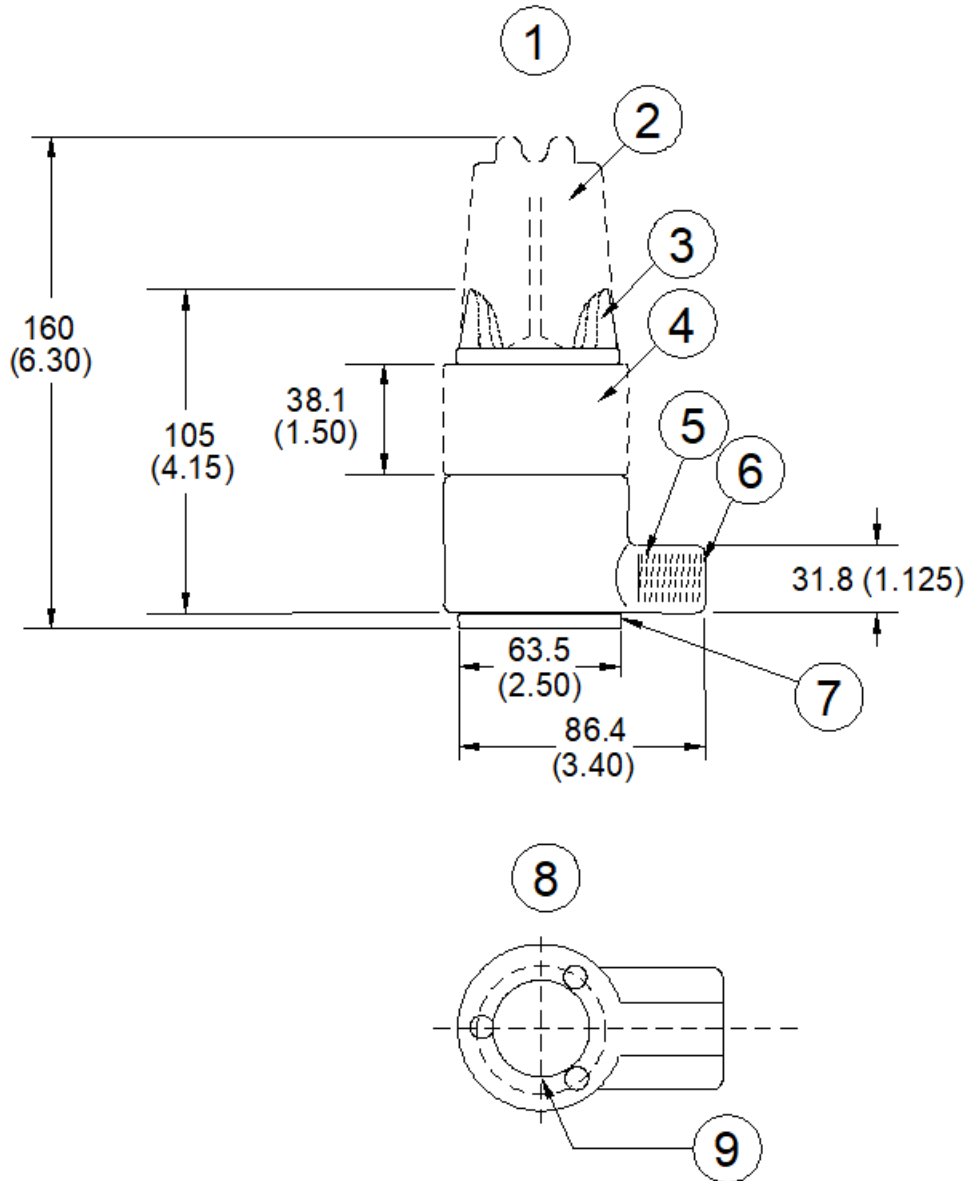
Dimensions are in millimeters (inches).



1. Side view
2. Optional dome cover
3. Standard flat cover
4. Optional extension
5. 1/2-14 NPT
6. Cable grip
7. Gasket, 3.2 (0.12)
8. Bottom view
9. Holes 7.14 (0.28) diameter, 3 places equally spaced on a 39.6 (1.56) diameter, base circle 28.58 (1.125) diameter

**Figure 2: 43217-02 Accelerometer Mounting Kit Dimensions**

Dimensions are in millimetres (inches)



1. Side view
2. Optional dome cover
3. Standard flat cover
4. Optional extension
5. 1/2-14 NPT
6. Cable grip
7. Gasket, 3.2 (0.12)
8. Bottom view
9. Holes 7.14 (0.28) diameter, 3 places equally spaced on a 39.6 (1.56) diameter, base circle 28.58 (1.125) diameter

**Figure 3: 43217-02 Accelerometer Mounting Kit Dimensions**

Dimensions are in millimetres (inches)

Copyright 2020 Baker Hughes Company. All rights reserved.



Bently Nevada and Orbit Logo are registered trademarks of Bently Nevada, a Baker Hughes Business, in the United States and other countries. The Baker Hughes logo is a trademark of Baker Hughes Company. All other product and company names are trademarks of their respective holders. Use of the trademarks does not imply any affiliation with or endorsement by the respective holders.

Baker Hughes provides this information on an "as is" basis for general information purposes. Baker Hughes does not make any representation as to the accuracy or completeness of the information and makes no warranties of any kind, specific, implied or oral, to the fullest extent permissible by law, including those of merchantability and fitness for a particular purpose or use. Baker Hughes hereby disclaims any and all liability for any direct, indirect, consequential or special damages, claims for lost profits, or third party claims arising from the use of the information, whether a claim is asserted in contract, tort, or otherwise. Baker Hughes reserves the right to make changes in specifications and features shown herein, or discontinue the product described at any time without notice or obligation. Contact your Baker Hughes representative for the most current information.

The information contained in this document is the property of Baker Hughes and its affiliates; and is subject to change without prior notice. It is being supplied as a service to our customers and may not be altered or its content repackaged without the express written consent of Baker Hughes. This product or associated products may be covered by one or more patents. See [Bently.com/legal](https://www.bently.com/legal).

1631 Bently Parkway South, Minden, Nevada USA 89423  
Phone: 1.775.782.3611 or 1.800.227.5514 (US only)  
[Bently.com](https://www.bently.com)