

3300 XL Underwater Probes

Datasheet

Bently Nevada Machinery Condition Monitoring

175852 Rev. E



Description

3300 XL underwater probes are designed specifically for applications involving constant exposure to liquids, such as those in hydroelectric plants or sewage treatment facilities. These designs also seal the probes against gases. All our underwater probes are rated to 500 psi (34 Bar) on the interface between the tip and probe casing. Contact a sales representative for applications that require higher pressure ratings.

All of the underwater probes are compatible with standard 3300 XL Proximitors Sensors and extension cables. Note that these probes each belong to a different family (8mm, 11mm, or 25mm) and consequently require different Proximitors Sensors and extension cables. Refer to the standard data product sheets to obtain ordering information for the 8mm, 11mm, and 25mm transducer systems.

The 100630, 148239, and 174985 probes were developed for applications in which the entire probe is submerged or exposed to fluids. Tubing attached to the probe case protects the probe cable, but the connector end of the probe is not sealed against liquids and must not be submerged. In addition, the probe case is made of 304 Stainless Steel and is not suitable for salt-water applications. Contact a sales representative if you have an application involving salt water.



Specifications

Electrical and Mechanical

The electrical and mechanical specifications for each of these probes are the same as standard product for the 8mm, 11mm, and 25mm systems.

Reference data sheets as follows for complete specifications

Probe 100630	3300 XL 8mm System datasheet document 141194.
Probe 148239	3300 XL 11mm System datasheet document 146256.
Probe 174985	3300 XL 25mm System datasheet document 163236

Environmental Limits

Probe Temperature Range

Operating and Storage Temperature	-51 °C to +177 °C (-60 °F to +351 °F)
Probe Pressure	Rated to seal 34 Bar (500 psi) Nitrogen. Modifications are available for applications involving higher pressures. Contact a Sales Representative if your application requires a test of the pressure seal. ¹



(1) It is the responsibility of the customer or user to ensure that all liquids and gases are contained and safely controlled should leakage occur from a proximity probe. Bently Nevada will not be held responsible for any damages resulting from leaking proximity probes.

Compliance and Certifications

FCC

This device complies with part 15 of the FCC Rules. Operation is subject to the following two conditions:

- This device may not cause harmful interference.
- This device must accept any interference received, including interference that may cause undesired operation.

EMC

EN 61000-6-2

EN 61000-6-4

EMC Directive 2014/30/EU

ATEX (where the applicable dash option has been ordered)

EN 60079-0

EN 60079-11

EN 60079-15

EN 60079-7

ATEX Directive 2014/34/EU

RoHS

RoHS Directive 2011/65/EU

Maritime

ABS 2009 Steel Vessels Rules

1-1-4/7.7,4-8-3/1.11.1,4-9-7/13

Hazardous Area Approvals



For the detailed listing of country and product specific approvals, refer to the *Approvals Quick Reference Guide* (108M1756) available from Bently.com.

CSA/NRTL/C

3300 XL Proximitior Sensor

ia	Class I, Zone 0: Aex/Ex ia IIC T4/T5 Ga Class I, Groups A,B,C, and D, Class II, Groups E, F, and G, Class III
----	--

When installed with intrinsically safe zener barriers per drawing 141092 or when installed with galvanic isolators.

nA, ec	Class I, Zone 2: AEx/Ex nA IIC T4/T5 Gc Class I, Division 2, Groups A, B, C, and D Class I, Zone 2 AEx/Ex ec IIC T4/T5 Gc; Class I, Divison 2, Groups A, B, C, and D
--------	---

When installed without barriers per drawing 140979

T5 @ Ta= -55°C to +40°C

T4 @ Ta = -55°C to +80°C

3300 XL Probe

ia	Class I, Zone 0: Aex/Ex ia IIC T5...T1 Ga Class I, Groups A,B,C, and D, Class II, Groups E, F, and G, Class III
----	--

When installed with intrinsically safe zener barriers per drawing 141092 or when installed with galvanic isolators. (See table below, Temperature Schedule)

nA, ec	Class I, Zone 2: AEx/Ex nA IIC T5...T1 Gc Class I, Division 2, Groups A, B, C, and D Class I, Zone 2 AEx/Ex ec IIC T5...T1 Gc; Class I, Divison 2, Groups A, B, C, and D
--------	---

When installed without barriers per drawing 140979 (See table below, Temperature Schedule)

ATEX/IECEx

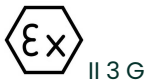
3300 XL Proximitor Sensor

ia	Ex ia IIIC T90C/T105C Dc
	For EPL Dc: T105°C @ Ta = -55°C to 100°C T90°C @ Ta = -55°C to +85°C



Ex ia IIC T4/T5 Ga

Ui = -28V	Uo = -28V
Ii = 140mA	Io = 140mA
Pi = 0.91W	Po = 0.742W
Ci = 47nF	Co = 1.5nF
Li = 1460µH	Lo = 610µH
nA,ec	



Ex nA IIC T4/T5 Gc

Ex ec IIC T4/T5 Gc

Ui = -28V	Li = 140 Ma
	T5 @ Ta = -55° C to +40 °C
	T4 @ Ta = -55 °C to +80 °C

3300 XL Probe



Probe entity parameters are met when used with BN extension cables and connected to BN Prox.

ia	Ex ia IIIC T90°C ... T280°C Dc
----	--------------------------------

For EPL Dc:

(see Table 5: Temperature Schedule)



Ex ia IIC T5...T1 Ga, (see table below, Temperature Schedule)

Ui = -28V	
Ci = 1.5 nF	

Ii = 140 mA	
Li = 610 µH	
Pi = 0.91 W	

nA, ec



Ex nA IIC T5...T1 Gc,

Ex ec IIC T5...T1 Gc,

(see table below, Temperature Schedule).

Ui = -28V

Li = 140 mA



The Prox must be installed so as to provide the terminals with a degree of protection of at least IP54.

Temperature Schedule	
Temperature Classification	Ambient Temperature (Probe Only)
For EPL Ga and Gc	
T1	-55°C to +232°C
T2	-55°C to +177°C
T3	-55°C to +120°C
T4	-55°C to +80°C
T5	-55°C to +40°C
For EPL Dc	
T280C @ Ta	-55°C to +232°C
T225C @ Ta	-55°C to +177°C
T170C @ Ta	-55°C to +120°C
T130C @ Ta	-55°C to +80°C
T90C @ Ta	-55°C to +40°C

Hazardous Area Conditions of Safe Use

Zone 0/1:

1. The exposed plastic surface of the Probes with 50 mm diameter, under certain extreme circumstances, may generate an ignition-capable level of electrostatic

charge. Therefore, this version of the equipment shall not be installed in a location where the external conditions are conducive to the build-up of electrostatic charge on the plastic surface. In addition, the equipment shall only be cleaned with a damp cloth. This is particularly important if the equipment is installed in a Zone 0 location.

2. The end user is to ensure appropriate earthing upon installation.

Zone 2 :

1. This product is not resistant to light as required by the relevant clause of EN 60079-0, therefore, it shall only be installed in a location where it is not exposed to direct sunlight or any other source of ultra-violet (UV) light.
2. The connector shall not be disconnected while the circuit is live unless the area is known to be non-hazardous.
3. The end user is to ensure appropriate earthing upon installation.

Ordering Information



For the detailed listing of country and product specific approvals, refer to the *Approvals Quick Reference Guide* (108M1756) available from Bently.com.

3300 XL 8mm Underwater Proximity Probe

100630 3/8-24 UNF thread, sealed case with Tefzel Tubing

100630-AA-BB-CC-DD

A: Unthreaded Length Option



Unthreaded length must be at least 0.7 in. less than the case length.

Length configurations:

Order in increments of 0.1 in

Maximum unthreaded length: 9 6 = 9.6 in

Minimum unthreaded length: 0 8 = 0.8 in

Example: 04 = 0.4 in.

B: Overall Case Length Option

Length configurations:

Order in increments of 0.1 in

Maximum unthreaded length: 8 9 = 8.9 in

Minimum unthreaded length: 0 0 = 0.0 in

Example: 24 = 2.4 in.

C: Total Length Option

05	0.5 metre (1.6 feet)
10	1.0 metre (3.3 feet)
15	1.5 metre (4.9 feet)
20	2.0 metres (6.6 feet)
50	5.0 metres (16.4 feet)
90	9.0 metres (29.5 feet)

D: Connector and Cable Type Option

A	Miniature coaxial ClickLoc connector with connector protector, standard cable
B	Miniature coaxial ClickLoc connector, standard cable

3300 XL 11mm Underwater Proximity Probe

148239 5/8-18 UNF thread, sealed case with Tefzel Tubing

148239-AA-BB-CC-DD

A: Unthreaded Length Option



Unthreaded length must be at least 1.0 in. less than the case length.

Length configurations:

Order in increments of 0.1 in

Maximum unthreaded length: 11 = 11.0 in

Minimum unthreaded length: 00 = 0.0 in

Example: 04 = 0.4 in.

B: Overall Case Length Option

Length configurations:

Order in increments of 0.1 in

Maximum unthreaded length: 12.0 in

Minimum unthreaded length: 1.8 in

Example: 24 = 2.4 in.

C: Total Length Option

10	1.0 metre (3.3 feet)
50	5.0 metres (16.4 feet)
90	9.0 metres (29.5 feet)

D: Connector and Cable Type Option

A	Miniature coaxial ClickLoc connector with connector protector, standard cable
B	Miniature coaxial ClickLoc connector, standard cable

3300 XL 25mm Underwater Proximity Probe

174985 1.25-12 UNF thread, sealed case with Tefzel Tubing.

174985-AA-BB-CC

A: Unthreaded Length Option



Unthreaded length must be at least 1.0 in. less than the case length.

Length configurations:

Order in increments of 0.1 in

Maximum unthreaded length: 8.9 in

Minimum unthreaded length: 0.0 in

Example: 04 = 0.4 in.

B: Overall Case Length Option

Length configurations:

Order in increments of 0.1 in

Maximum unthreaded length: 9.9 in.

Minimum unthreaded length: 1.2 in

Example: 24 = 2.4 in.

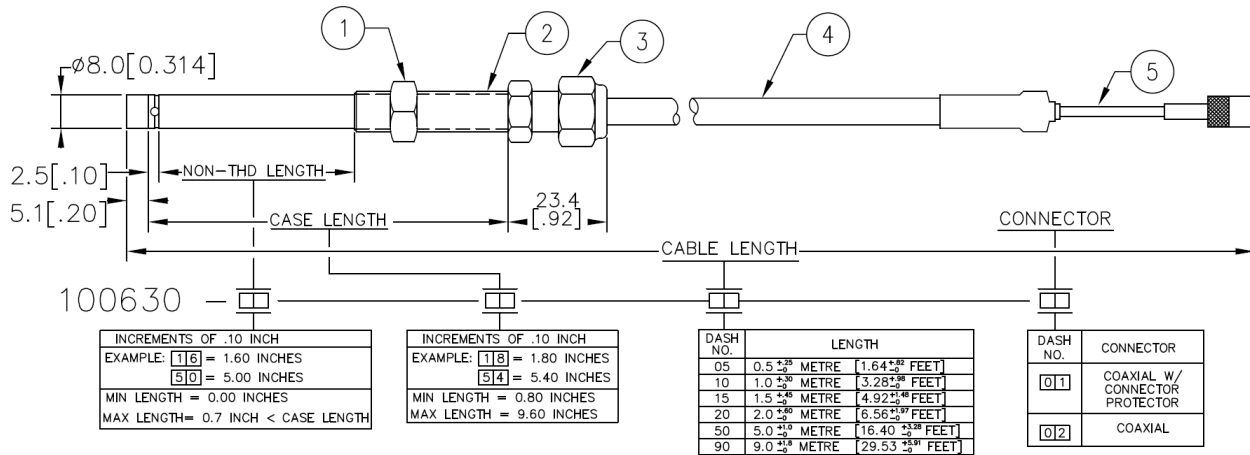
C: Total Length Option

10	1.0 metre (3.3 feet)
50	5.0 metres (16.4 feet)
90	9.0 metres (29.5 feet)

Accessories

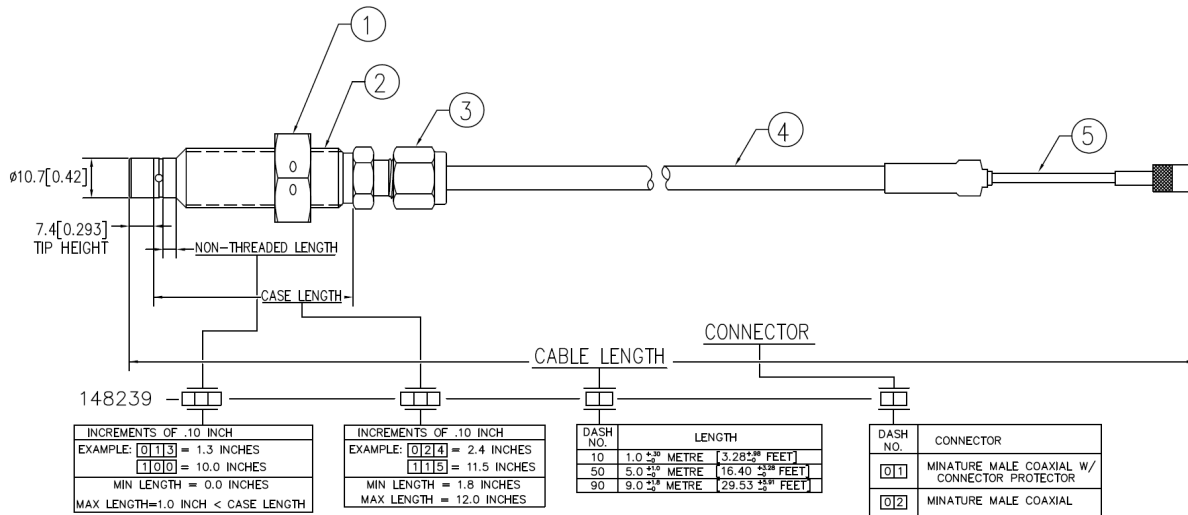
40113-02	Connector Protector Kit Connector Protector Kit for probes and extension cables, including installation tools. The 03800001 connector protector must be ordered separately.
136536-01	Connector Protector Adapter Allows connector protector installation tools manufactured prior to 1998 to be used with 75 W ClickLoc connectors.
03839410	75 ohm Triaxial Male Connector Protector Male connector protectors are installed onto the extension cable and attach to the female connector protector on the probe, providing environmental protection of connectors.
03800001	75 ohm Coaxial Female Connector Protector Female connector protectors are installed onto the probe lead and attach to the male connector protector on the extension cable, providing environmental protection of connectors. Also placed on the extension cable to slide over the connection to the Proximitor Sensor and protect it from the environment.
04301007	3/8-24 Probe Lock Nut with safety wire holes Single probe lock nut with two holes drilled through the nut to allow safety wire to secure the lock nut in place.
173873	High Temperature Cable Ties The 173873 high temperature cable tie is an economical alternative to metal brackets in high temperature applications. These cable ties are molded from PEEK polymer for multiple uses in extreme environments up to 180°C (356°F). 7-inch length, bag of 50.

Graphs and Figures



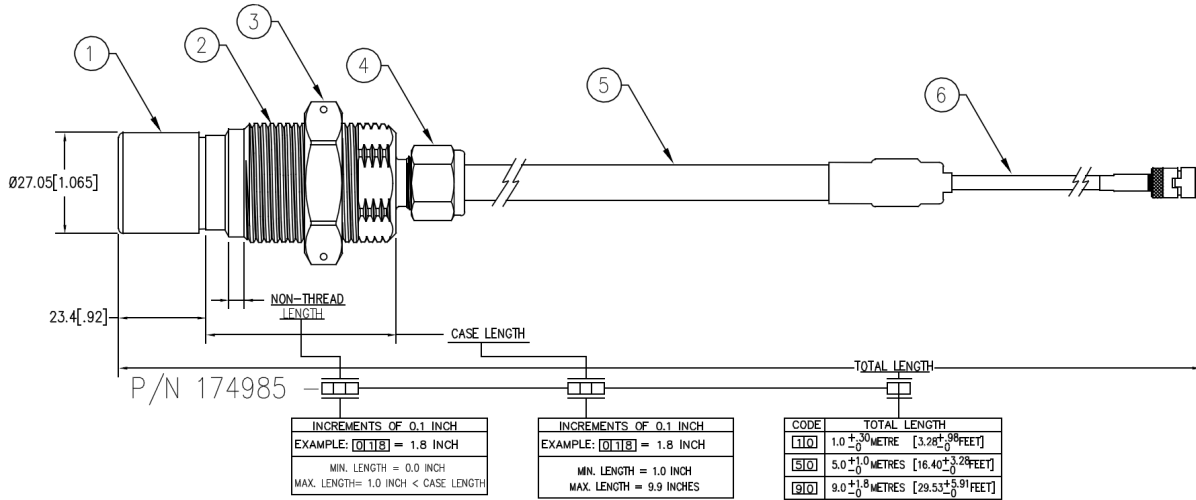
1. Jam nut 9/16 inch wrench flats
2. Probe threads, 3/8-24 UNF 2A
3. Swagelok fitting, used to secure tubing to probe case. Do not loosen this fitting.
4. Tefzeltubing 0.25 inch outside diameter
5. Coaxial cable 0.145 inch maximum diameter

Figure 1: Probe 100630, 3300 XL 8mm 3/8-24 Thread Forward Mount



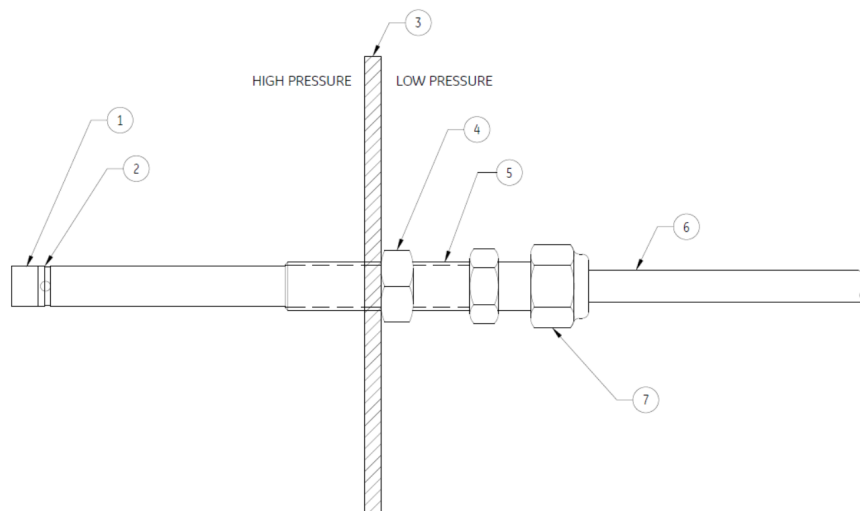
1. Jam nut, 15/16 inch hex with safety wire holes
2. 5/8-18 UNF 2A Mounting threads
3. Swagelok fitting, used to secure tubing to probe case. Do not loosen this fitting.
4. Tefzel tubing 0.25 inch outside diameter
5. Coaxial cable 0.145 inch maximum diameter

Figure 2: Probe 148239, 3300 XL 11mm 5/8-18 Thread Forward Mount



1. PEEK polymer tip
2. 1.25-12 mounting threads with 1.125 inch integral wrench flats
3. Jam nut, 1.5 inch hex with safety wire holes
4. Swagelok fitting, used to secure tubing to probe case. Do not loosen this fitting.
5. Tefzel tubing 0.375 inch outside diameter
6. Coaxial cable 0.145 inch maximum diameter

Figure 3: Probe 174985, 1.25 – 12 Thread, Forward Mount with Tefzel Tubing Protecting Probe Cable



1. Probe tip
2. 500 PSI rated seal between tip and case
3. Machine casing
4. Jam nut
5. Swagelock fitting
6. Tefzel tubing
7. Swagelok and Tefzel seal designed for submersion but not pressure rated

Figure 4: Probe Pressure Rating Detail



All dimensions on figures are in millimetres [inches] unless otherwise noted.

Copyright 2020 Baker Hughes Company. All rights reserved.



Bently Nevada, Proximito, Keyphasor and Orbit Logo are registered trademarks of Bently Nevada, a Baker Hughes Business, in the United States and other countries. The Baker Hughes logo is a trademark of Baker Hughes Company. All other product and company names are trademarks of their respective holders. Use of the trademarks does not imply any affiliation with or endorsement by the respective holders.

Baker Hughes provides this information on an "as is" basis for general information purposes. Baker Hughes does not make any representation as to the accuracy or completeness of the information and makes no warranties of any kind, specific, implied or oral, to the fullest extent permissible by law, including those of merchantability and fitness for a particular purpose or use. Baker Hughes hereby disclaims any and all liability for any direct, indirect, consequential or special damages, claims for lost profits, or third party claims arising from the use of the information, whether a claim is asserted in contract, tort, or otherwise. Baker Hughes reserves the right to make changes in specifications and features shown herein, or discontinue the product described at any time without notice or obligation. Contact your Baker Hughes representative for the most current information.

The information contained in this document is the property of Baker Hughes and its affiliates; and is subject to change without prior notice. It is being supplied as a service to our customers and may not be altered or its content repackaged without the express written consent of Baker Hughes. This product or associated products may be covered by one or more patents. See [Bentley.com/legal](https://www.bentley.com/legal).

1631 Bently Parkway South, Minden, Nevada USA 89423
Phone: 1.775.782.3611 or 1.800.227.5514 (US only)
[Bentley.com](https://www.bentley.com)